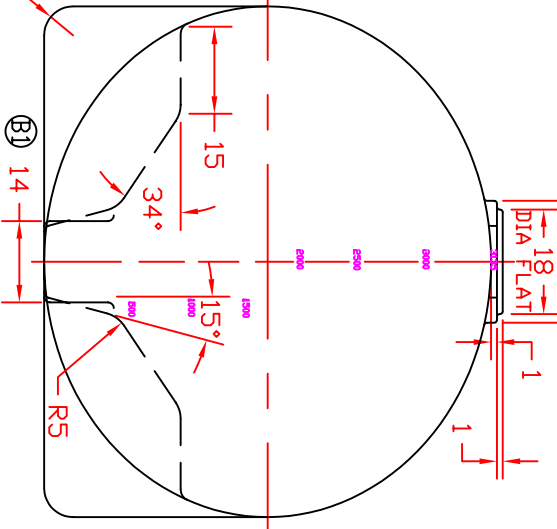
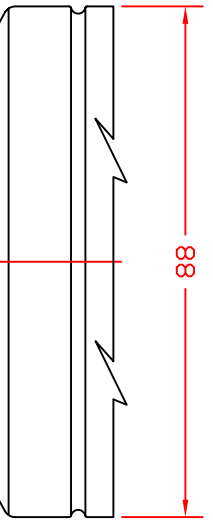
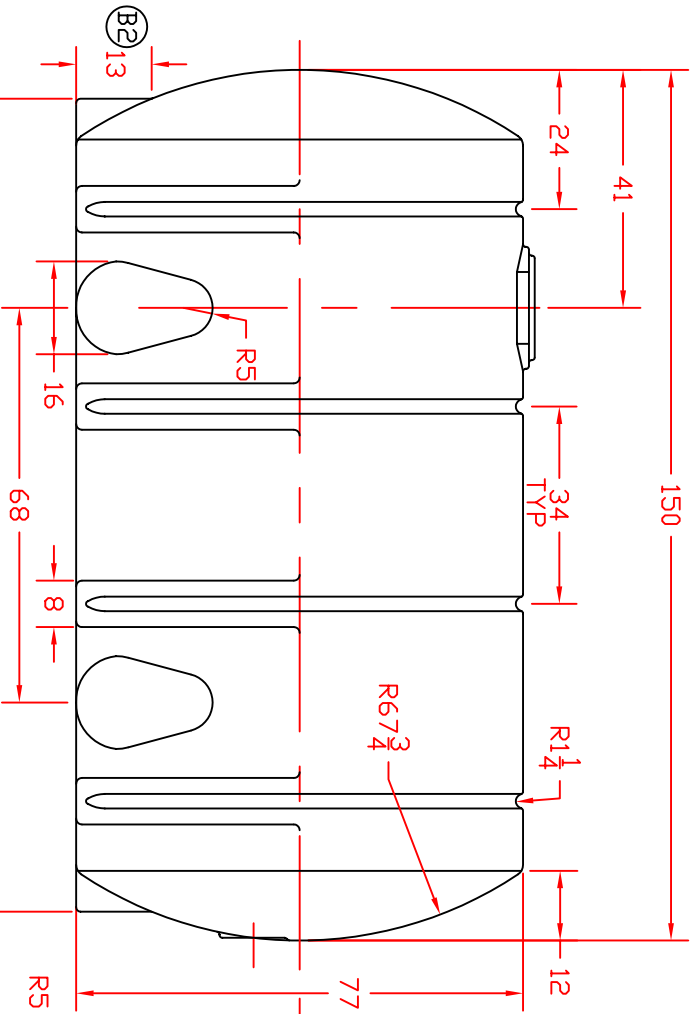
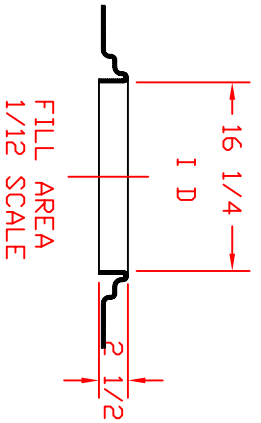


REVISIONS				
ZONE	REV	DESCRIPTION	DATE	APPROVED
	A	SPARGER FLAT REVSD	04JUN04	
	B	WAS ① ② 12 ③ 137 1/2	21NOV07	
	C	SPARGER FLAT REMOVED	12NOV08	



NOTE: GALLON MARKERS ON OPPOSITE END ONLY

- 65 13/16
- 53 29/32
- 44 3/32
- 34 13/16
- 25 13/32
- 15 3/32
- 0

FDB ST BONIFACIUS, MN, SHAWNEE, OK & FAIRFIELD, TX

NORWESCO
 ST. BONIFACIUS, MN
 3135 GALLON
 ELLIPTICAL LEG TANK

JTP 29JUN95

SCALE 1/24

REV A