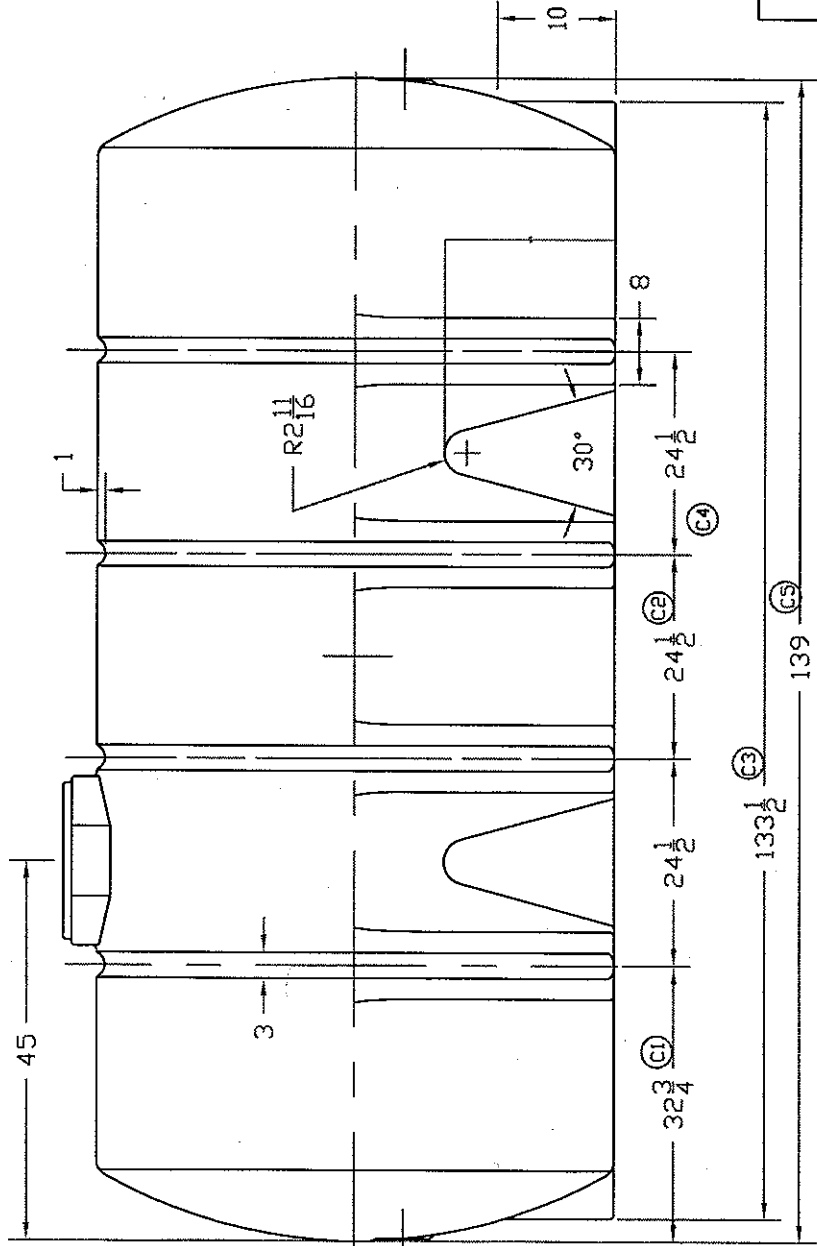
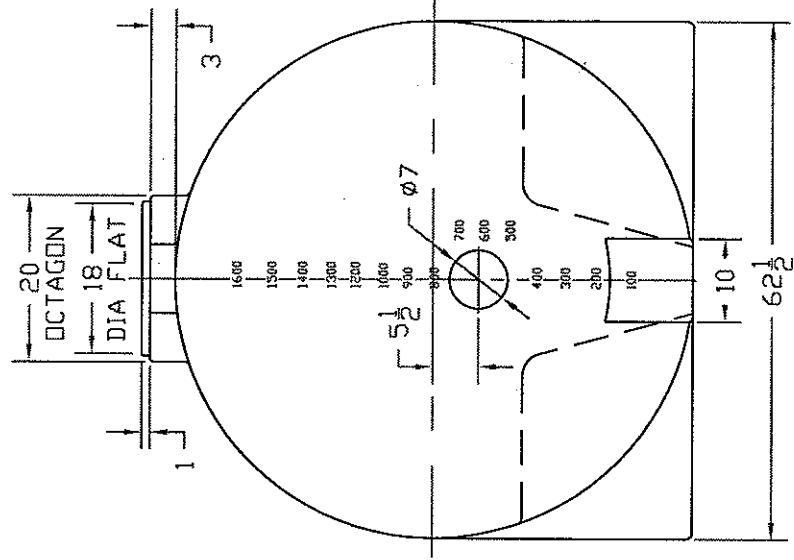


REVISIONS			
ZONE	REV	DESCRIPTION	DATE
	B	REDDRAWN	14AUG97
	C	DIMS MATCHED TO PRODD 23OCT01	
		WAS 1)32, 2)21,	
		3)129-1/4, 4)131, 5)134	

REVISIONS			
ZONE	REV	DESCRIPTION	DATE
	D	SPARGER FLATS REV'D.	17AUG04



NORWESCO
 ST. BONIFACIUS, MN
 1625 GALLON HORIZONTAL
 LEG TANK

JTP	14AUG97	B	FSCM NO.	DWG NO.	REV	D
				SCALE		1/16
						SHEET