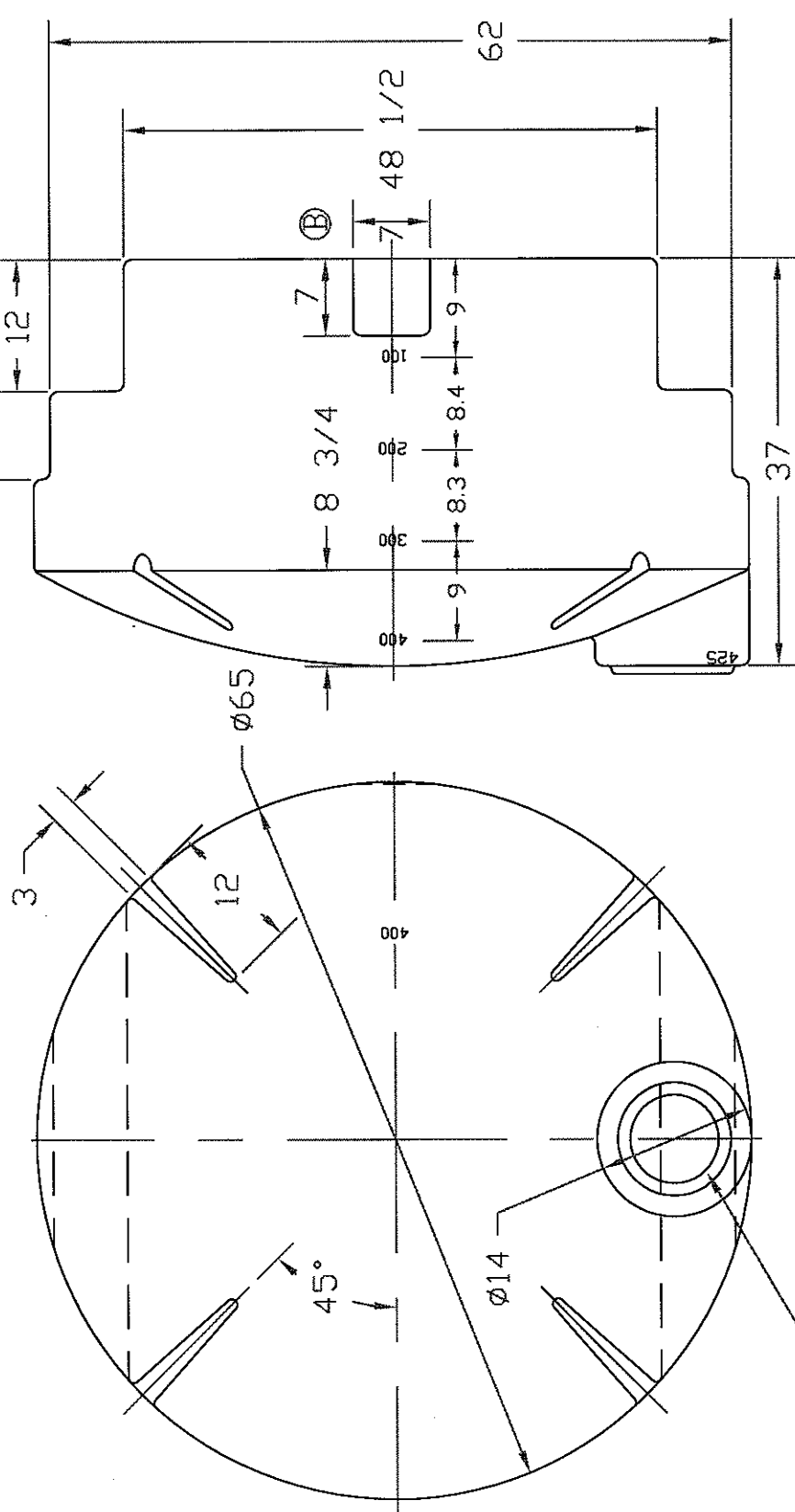


REVISIONS			
ZONE	REV	DESCRIPTION	DATE
	A	REDRAWN	2APR96
	B	FLAT ADDED	15MAR00



NORWESCO
ST. BONIFACIUS, MN

425 GALLON PICKUP
TANK

JTP 2APR96

SIZE A FSCM NO. DWG NO. REV B

SCALE 1/16 SHEET

8 1/4 ACME THREAD, RH