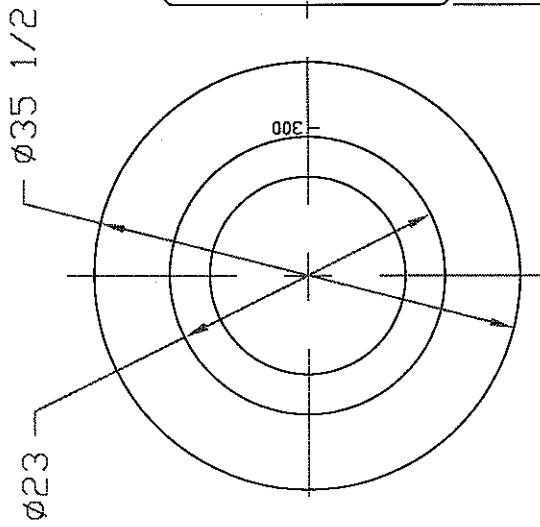
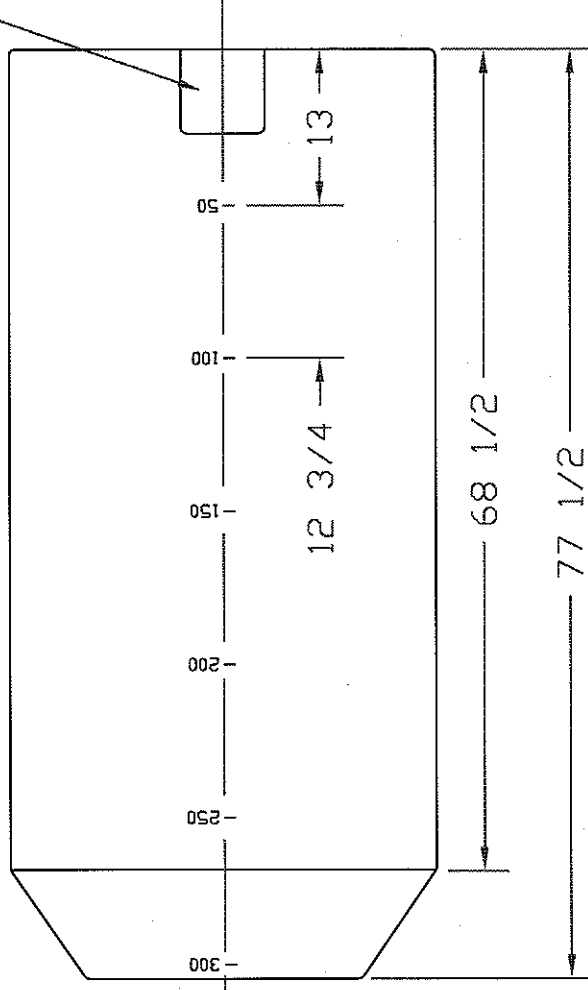


REVISIONS

ZONE	REV	DESCRIPTION	DATE	APPROVED
	A	REDRAWN	9NOV95	



7 X 7 FLAT
(4) PLACES



NORWESCO
ST. BONIFACIUS, MN

300 GALLON VERTICAL
TANK

JTP	9NOV95	SIZE	FSCM NO.	DWG NO.	REV
		A			A
SCALE 1/16				SHEET	