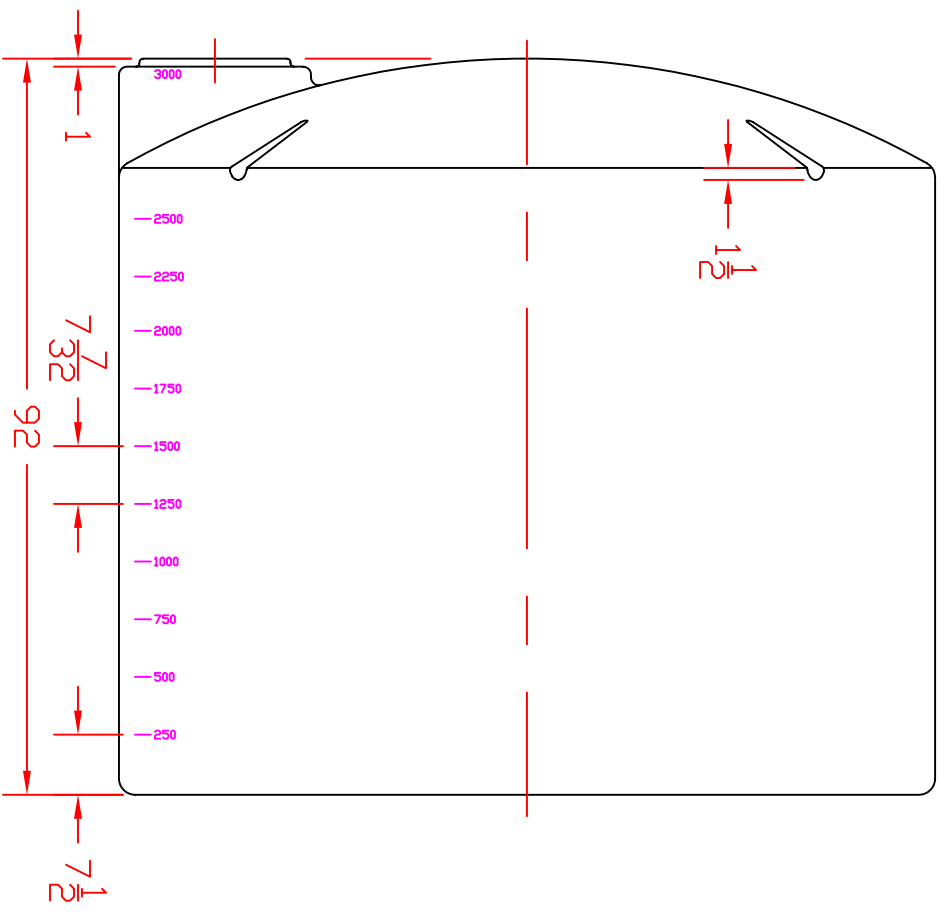
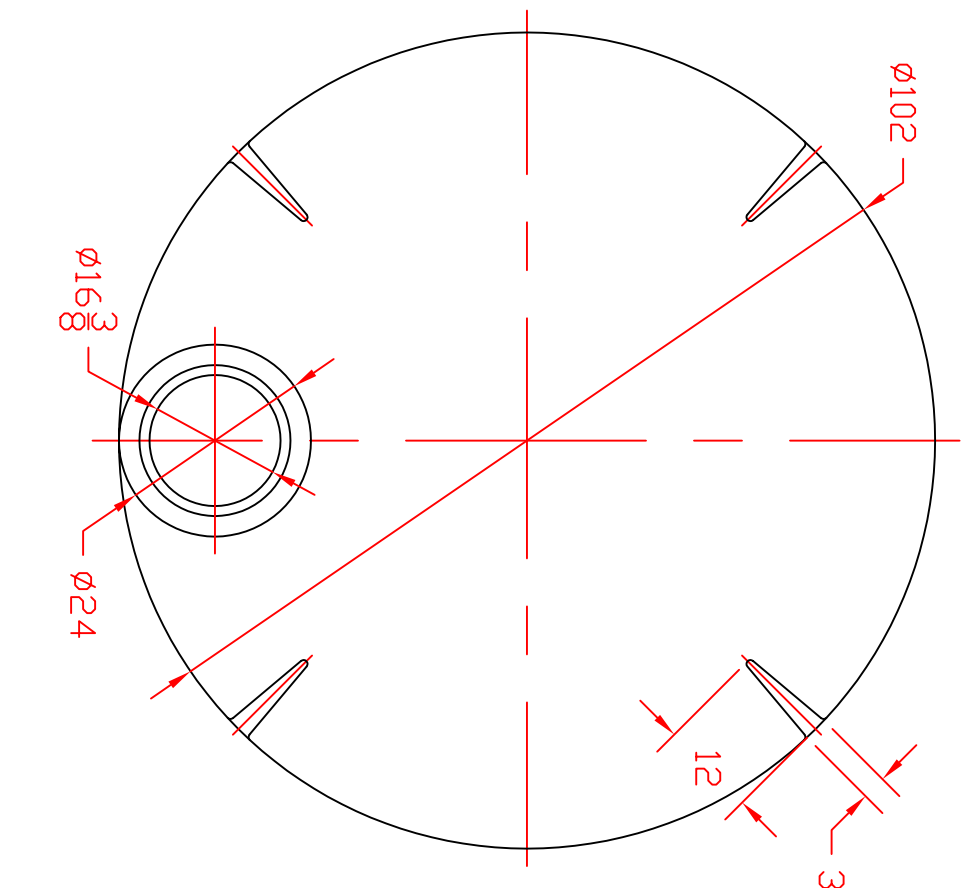



REVISIONS				
ZONE	REV	DESCRIPTION	DATE	APPROVED



FOB FAIRFIELD, TX

 ST. BONIFACIUS, MN		3000 GALLON (X 102 DIA)		VERTICAL STORAGE TANK
		SIZE	FSCM NO.	
JTP	26FEB03	A		
SCALE 1/24		SHEET		REV